

PRODUCT NUMBER	NO. OF POS.	MATING LENGTH		TAIL LENGTH		BEND DIM		PIN PLATING CODE	POLARIZED POSITION	LEAD FREE PIN PLATING CODE	LEAD FREE OPTION
		DIM F ENGLISH	DIM F METRIC	DIM G ENGLISH	DIM G METRIC	DIM H ENGLISH	DIM H METRIC				
68450-001											NOTE 4, 5
68450-002	8	0.318	8.08	0.110	2.79	0.060	1.52	2	7	2	
68450-003	7	0.318	8.08	0.110	2.79	0.060	1.52	2	3	2	
68450-004	32	0.318	8.08	0.110	2.79	0.060	1.52	2	2-5-9-20-26-31	2	
68450-005	5	0.230	5.84	0.195	4.95	0.160	4.06	1	4	1	
68450-006	17	0.135	3.43	0.305	7.75	0.135	3.43	4	9	4LF	
68450-007	10	0.135	3.43	0.305	7.75	0.135	3.43	4	6	4LF	
68450-008	12	0.318	8.08	0.110	2.79	0.060	1.52	2	7	2	
68450-009											
68450-010	11	0.230	5.84	0.120	3.05	0.060	1.52	1	2-5	1	
68450-011	7	0.230	5.84	0.090	2.29	0.060	1.52	1	5	1	
68450-012	6	0.230	5.84	0.090	2.29	0.060	1.52	1	5	1	
68450-013	6	0.230	5.84	0.090	2.29	0.060	1.52	1	4	1	
68450-014	6	0.120	3.05	0.185	4.70	0.149	3.78	4	5	4LF	
68450-015	4	0.230	5.84	0.120	3.05	0.060	1.52	4	2	4LF	
68450-016	4	0.230	5.84	0.090	2.29	0.060	1.52	3	2	3	
68450-017	12	0.230	5.84	0.090	2.29	0.060	1.52	1	2	1	
68450-018	5	0.230	5.84	0.090	2.29	0.060	1.52	3	2	3	
68450-019	6	0.230	5.84	0.090	2.29	0.060	1.52	1	3	1	
68450-020	9	0.230	5.84	0.120	3.05	0.060	1.52	1	2	1	
68450-021	12	0.318	8.08	0.120	3.05	0.060	1.52	4	2	4LF	
68450-022	8	0.318	8.08	0.120	3.05	0.060	1.52	2	3	2	
68450-023	7	0.318	8.08	0.110	2.79	0.060	1.52	2	2	2	
68450-024	8	0.318	8.08	0.120	3.05	0.060	1.52	2	6	2	
68450-025	25	0.110	2.79	0.230	5.84	0.135	3.43	4	3-21	4LF	
68450-026	14	0.135	3.43	0.295	7.49	0.135	3.43	1	5	1	
68450-027	19	0.230	5.84	0.195	4.95	0.160	4.06	2	ALL EVEN	2	NOTE 4, 5

NOTE

- FOR PRODUCT GEOMETRY AND GENERAL INFORMATION SEE DRAWING 93198.
- ANY NUMBER OF POSITIONS FROM 2 THROUGH 36.
- PACKAGED IN POLY BAGS ONLY.
- ADD "HLF" SUFFIX AT THE END OF PART NUMBER FOR LEAD FREE OPTION.
- THESE PRODUCTS MEET EUROPEAN UNION DIRECTIVES AND OTHER COUNTRY REGULATION AS DESCRIBED IN GS-22-008.
- PART NUMBERS WITH "H" SUFFIX WILL WITHSTAND EXPOSURE TO 260°C PEAK TEMPERATURE FOR 20 SECONDS IN WAVE SOLDER, INFRA-RED OR VAPOR PHASE SOLDER PROCESS.

PART NUMBERS WITHOUT "H" SUFFIX WILL WITHSTAND EXPOSURE TO 260°C PEAK TEMPERATURE FOR WAVE SOLDER PROCESS.

BODY MATERIAL:

BERGSTIK: MANUFACTURER'S OPTION OF NYLON, PCT GLASS FIBER REINFORCED, FLAME RETARDENT PER UL-94V-0.
 COLOR : BLACK OR
 MINERAL FILLED LCP, FLAME RETARDENT PER UL-94V-0.
 COLOR BLACK.

- PLATING OPTIONS:
MAY BE EITHER GOLD OR GXT PLATED AT MANUFACTURER'S OPTION.
- "THIS PRODUCT HAS 100% TIN PLATING IN THE INTERFACE AND HAS NOT BEEN TESTED FOR WHISKER GROWTH IN ALL INTERCONNECT ENVIRONMENTS."

mat'l. code				surface	tolerance	projection	product family
				ISO 1302	ISO 406 ISO 1101		BERGSTIK
ltr	ecn no	dr	date	tolerances unless otherwise specified			title
BK	V10920	MDF	02/23/01	angles	.XX±.01/XX±.03		BERGSTIK®II HEADER R/A .100/2.54cc SR POLARIZED
BL	V20791	GIP	04/25/02	linear	.XXX±.006/XXX±0.13		
BM	V21813	CGD	12/16/02	0'±.2'	.XXX±.0020/XXX±0.051	scale 1:1	dwg no
BN	M05-0175	ERE	07/28/03	dr	T.BREWBAKER	1/13/95	sheet 1 of 4 size
BP	M06-0268	MHT	7/17/06	engr	T.HANNA	1/13/95	68450
BR	M06-0356	MHT	9/08/06	chr	T.HANNA	1/13/95	A3
BS	M08-0291	MHT	10/06/08	appd	T.HANNA	1/13/95	type
sheet	revision	BS	BS	BS	BS	BS	Product Customer Drawing
index	sheet	1	2	3	4		

PRODUCT NUMBER	NO. OF POS.	MATING	LENGTH	TAIL	LENGTH	BEND	DIM	PIN PLATING CODE	POLARIZED POSITION	LEAD FREE PIN PLATING CODE	LEAD FREE OPTION
		DIM F ENGLISH	DIM F METRIC	DIM G ENGLISH	DIM G METRIC	DIM H ENGLISH	DIM H METRIC				
68450-028	14	0.120	3.05	0.295	7.49	0.135	3.43	1	5	1	NOTE 4, 5
68450-029	19	0.230	5.84	0.120	3.05	0.060	1.52	2	ALL EVEN	2	
68450-030	5	0.120	3.05	0.230	5.84	0.135	3.43	4	4	4LF	
68450-031	18	0.230	5.84	0.120	3.05	0.060	1.52	1	7	1	
68450-032	10	0.230	5.84	0.120	3.05	0.060	1.52	1	8	1	
68450-033	19	0.230	5.84	0.120	3.05	0.060	1.52	1	3-4-6-7-12	1	
68450-034	20	0.230	5.84	0.090	2.29	0.060	1.52	4	4	4LF	
68450-035	14	0.230	5.84	0.120	3.05	0.060	1.52	1	7	1	
68450-036	8	0.100	2.54	0.120	3.05	0.060	1.52	4	2	4LF	
68450-037	3	0.110	2.79	0.230	5.84	0.135	3.43	1	3	1	
68450-038	3	0.110	2.79	0.230	5.84	0.135	3.43	1	1	1	
68450-039	19	0.120	3.05	0.185	4.70	0.149	3.78	1	ALL EVEN	1	
68450-040	3	0.230	5.84	0.090	2.29	0.060	1.52	1	1	1	
68450-041	8	0.230	5.84	0.100	2.54	0.060	1.52	4	5	4LF	
68450-042	8	0.230	5.84	0.100	2.54	0.060	1.52	4	3	4LF	
68450-043	12	0.230	5.84	0.120	3.05	0.060	1.52	3	5-11	3	
68450-044	7	0.230	5.84	0.120	3.05	0.060	1.52	4	5	4LF	
68450-045	8	0.135	3.43	0.135	3.43	0.135	3.43	2	3	2	
68450-046	5	0.230	5.84	0.120	3.05	0.060	1.52	1	4	1	
68450-047	11	0.230	5.84	0.090	2.29	0.060	1.52	1	3	1	
68450-048	8	0.135	3.43	0.305	7.75	0.135	3.43	2	6	2	
68450-049	10	0.120	3.05	0.100	2.54	0.060	1.52	4	2-4-5-7-9	4LF	
68450-050	5	0.230	5.84	0.120	3.05	0.060	1.52	1	2	1	
68450-051	9	0.230	5.84	0.120	3.05	0.060	1.52	4	2-3-5-6-8	4LF	
68450-052	5	0.230	5.84	0.090	2.29	0.060	1.52	4	2	4LF	
68450-053	10	0.230	5.84	0.120	3.05	0.060	1.52	2	8	2	
68450-054	10	0.230	5.84	0.120	3.05	0.060	1.52	4	8	4LF	NOTE 4, 5

NOTE 4, 5

↑

NOTE 4, 5



Copyright FCJ

mat'l. code	surface ISO 1302	tolerance ISO 406 ISO 1101	projection	product family
ltr	ecn no	dr	date	BERGSTIK
BS				title
				BERGSTIK® II HEADER R/A
				.100/2.54cc SR POLARIZED
				dwg no
				68450
				sheet 2 of 4
				size A3
				type
				Product Customer Drawing
sheet index	revision sheet			

PRODUCT NUMBER	NO. OF POS.	MATING LENGTH		TAIL LENGTH		BEND DIM		PIN PLATING CODE	POLARIZED POSITION	LEAD FREE PIN PLATING CODE	LEAD FREE OPTION
		DIM F ENGLISH	DIM F METRIC	DIM G ENGLISH	DIM G METRIC	DIM H ENGLISH	DIM H METRIC				
68450-055	10	0.230	5.84	0.120	3.05	0.060	1.52	1	8	1	NOTE 4, 5
68450-056	5	0.318	8.08	0.090	2.29	0.160	4.06	3	4	3	
68450-057H	8	0.120	3.05	0.230	5.84	0.060	1.52	2	2	2	
68450-058H	12	0.318	8.08	0.120	3.05	0.060	1.52	2	2	2	
68450-059H	6	0.230	5.84	0.085	2.16	0.060	1.52	4	2-3-4	4LF	
68450-060H	25	0.230	5.84	0.290	7.37	0.060	1.52	1	3-5-8-9-12-13-16-19-20	1	
68450-061H	3	0.230	5.84	0.090	2.29	0.060	1.52	1	2	1	
68450-062	5	0.275	6.99	0.120	3.05	0.060	1.52	2	2	2	
68450-063H	5	0.318	8.08	0.120	3.05	0.060	1.52	4	2	4LF	
68450-064H	6	0.230	5.84	0.120	3.05	0.060	1.52	1	2-3-4-5	1	
68450-065H	6	0.230	5.84	0.090	2.29	0.060	1.52	4	2-3-4-5	4LF	
68450-066H	4	0.230	5.84	0.120	3.05	0.060	1.52	4	2 AND 3	4LF	
68450-067	7	0.230	5.84	0.120	3.05	0.060	1.52	2	6	2	
68450-068	5	0.230	5.84	0.120	3.05	0.060	1.52	2	4	2	
68450-069H	12	0.230	5.84	0.090	2.29	0.060	1.52	1	7	1	
68450-070H	6	0.275	6.99	0.120	3.05	0.060	1.52	1	2	1	
68450-071H	7	0.110	2.79	0.230	5.84	0.160	4.06	2	3	2	
68450-072H	7	0.140	3.56	0.115	2.92	0.060	1.52	4	3,4	4LF	
68450-073H	7	0.140	3.56	0.115	2.92	0.060	1.52	2	3,4	2	
68450-074H	20	0.140	3.56	0.115	2.92	0.060	1.52	4	4,5,6,7,8,9,13,14,15,16,17	4LF	
68450-075H	20	0.140	3.56	0.115	2.92	0.060	1.52	2	4,5,6,7,8,9,13,14,15,16,17	2	
68450-076H	7	0.140	3.56	0.115	2.92	0.060	1.52	4	4,5	4LF	
68450-077H	7	0.140	3.56	0.115	2.92	0.060	1.52	2	4,5	2	
68450-078H	21	0.190	4.83	0.095	2.41	0.060	1.52	4	2,4,5,6,8,10,12,14,16,18,20	4LF	
68450-079H	21	0.190	4.83	0.095	2.41	0.060	1.52	2	2,4,5,6,8,10,12,14,16,18,20	2	
68450-080H	9	0.230	5.84	0.090	2.29	0.060	1.52	1	2	1	
68450-081H	12	0.320	8.13	0.100	2.54	0.060	1.52	4	4, 5, 9, 10	4LF	
68450-082H	3	0.120	3.05	0.120	3.05	0.060	1.52	1	2	1	NOTE 4, 5

NOTE 4, 5

↑

↓

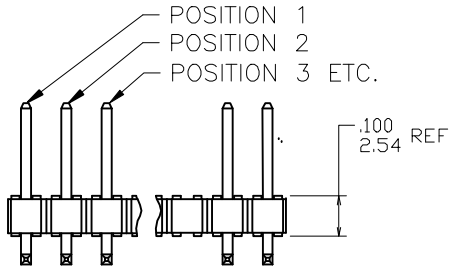
NOTE 4, 5



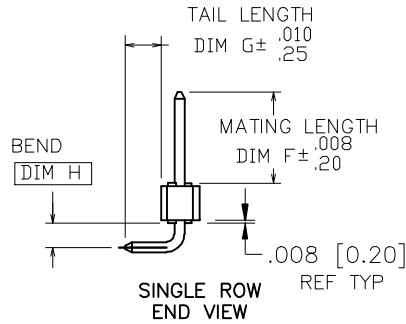
Copyright FCJ

mat'l. code		surface ISO 1302		tolerance ISO 406 ISO 1301		projection		product family BERGSTIK	
ltr	ecn no	dr	date	tolerances unless otherwise specified				title	
BS				angles	linear	INCH/MM		BERGSTIK®II HEADER R/A	
				0'±2'		scale 1:1		.100/2.54cc SR POLARIZED	
				dr	T.BREWBAKER	1/13/95		dwg no sheet 3 of 4 size	
				engr	T.HANNA	1/13/95		68450 A3	
				chr	T.HANNA	1/13/95		type Product Customer Drawing	
				appd	T.HANNA	1/13/95			
sheet index	revision sheet								

PRODUCT NUMBER	NO. OF POS.	MATING LENGTH		TAIL LENGTH		BEND DIM		PIN PLATING CODE	POLARIZED POSITION	LEAD FREE PIN PLATING CODE	LEAD FREE OPTION
		DIM F ENGLISH	DIM F METRIC	DIM G ENGLISH	DIM G METRIC	DIM H ENGLISH	DIM H METRIC				
68450-083H	5	0.120	3.05	0.120	3.05	0.060	1.52	4	2, 4	4LF	NOTE 4, 5
68450-084H	5	0.120	3.05	0.120	3.05	0.060	1.52	4	2, 3	4LF	



SINGLE ROW
SIDE VIEW
SEE NOTE 1



SINGLE ROW
END VIEW

PIN PLATING CODES	
1	30u"/0.76u MIN (SEE NOTE 7) OVER 50u"/1.27u MIN Ni
2	15u"/0.38u MIN (SEE NOTE 7) OVER 50u"/1.27u MIN Ni
3	50u"/1.27u MIN Au OVER 50u"/1.27u MIN Ni
4	100u"/2.54u MIN Sn OVER 50u"/1.27u MIN Ni (SEE NOTE 8)
4LF	

mat'l. code		surface	tolerance	projection	product family
ISO 1302		ISO 406	ISO 1101		BERGSTIK
ltr	ecn no	dr	date	title	
BS				BERGSTIK®II HEADER R/A	
angles		linear	linear	INCH/MM	.100/2.54cc SR POLARIZED
0° ± 2'		XXX±.006/XX±0.13	XXX±.0020/XXX±0.051	scale	1:1
dr		T.BREWBAKER	1/13/95	dwg no	
engr		T.HANNA	1/13/95	sheet 4 of 4 size	
chr		T.HANNA	1/13/95	68450 A3	
appd		T.HANNA	1/13/95	type	
sheet		revision		Product Customer Drawing	
index	sheet				